

**Performance**

Rated capacity	3500 kg
Capacity (at max. height on tyres)	500 kg
Udźwig przy maks. wysokości na stabilizatorach	3500 kg
Udźwig przy maks. zasięgu na stabilizatorach	1000 kg
Lifting height	12794.0 mm
Lifting height on stabilizers	13656.0 mm
Tilt Breakout force	12300 daN
Drawbar pull	4900 daN
Max. reach	9449.0 mm
Wysokość podnoszenia na stabilizatorach (24-calowe opony)	13656.0 mm
Max. reach on stabilizers (20" tyres)	9810.0 mm
Max. reach on stabilizers (24" tyres)	9720.0 mm

**Czas cyklu**

Boom raising	14.0 s
Boom lowering	8.5 s
Boom extension	20.5 s
Boom retraction	13.0 s
Crowding	5.0 s
Dumping	4.5 s

**Weights**

Masa własna (24-calowe opony)	9070 kg
-------------------------------	---------

**Engine**

Make / Model	Bobcat D34
Fuel	DIESEL
Rated power (ISO 14396)	74.0 kW
Rated speed	2400.0 RPM
Maximum torque at 1400 rpm	430.0 Nm
Number of cylinders	4.0
Displacement	3.41 L

**Hydraulic system**

Pump type	Gear pump with LS valve
Pump capacity	100.00 L/min
Relief valve pressure setting	250.00 bar
Control valve type	Open center with flow sharing & flow compensators technology

**Drive system**

Transmission	Hydrostatic with electronic regulation
Main Drive	Hydrostatic motor

**Traction**

Standard Tyres	400/80-24 / 20PR TM R4
Max speed - turtle mode (24" / 20")	8,5 / 7
Max speed - rabbit mode (24" / 20")	30 / 26

**Brakes**

Engine Braking	Hydrostatic
Parking and Emergency brake	Passive brake
Service Brake	Oil immersed discs

**Steering**

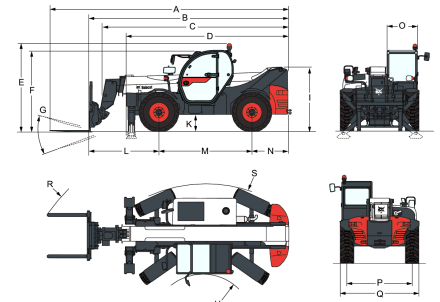
Steering Mode	2 wheel steering / 4 wheel steering / Crab-steering
---------------	---

**Fluid Capacities**

Fuel tank	145.00 L
Adblue ® tank	22.40 L
Hydraulic tank	76.00 L
Hydraulic system	157.00 L

**Ochrona środowiska**

Operator noise level (LpA) (EN 12053)	75 dB(A)
Level of acoustic power (LwA)	106 dB(A)
Drgania przenoszone na całe ciało (EN 13059)	1.00 ms <sup>-2</sup>

**Dimensions**


Values marked with \* - 24" tyres

(A)	7313.0 mm	(L)	2151.0 mm
(B)	6108.0 mm	(M)	2850.0 mm
(C)	5709.0 mm	(N)	1107.0 mm
(D*)	4950.0 mm	(O)	930.0 mm
(E*)	2673.0 mm	(P)	1992.0 mm
(F*)	2520.0 mm	(Q)	2418.0 mm
(G)	124.0°	(R*)	5640.0 mm
(I*)	1956.0 mm	(S*)	4150.0 mm
(K*)	509.0 mm	(U*)	1519.0 mm

**Load Charts**

Load Charts

